

ABT16 Baggage Trailer

Base, Line Maintenance &
Ground Handling Equipment



Ground Handling Equipment

Reliable easy to use low maintenance equipment
for efficient ramp operations.



Key features

- Robust 1800kg 50 luggage unit capacity.
- Fully welded and galvanised chassis.
- Turntable steering activation.
- 50mm steel tow eye and 'E' hitch.
- Super elastic solid rubber tyres.
- Tow bar activated parking brake raised and lowered.

ABT16 Baggage Trailer

A robust 1800kg, 50 luggage unit capacity ramp baggage trailer. Compliant to IATA and European CE standards and specifically designed for arduous service over many years on busy airport ramps.

The ABT16 incorporates a formed 3mm thick steel bed on a fully welded and galvanised chassis, bolted on heavy duty steel tube galvanised end frames and OHE's unique replaceable flange mounted taper roller bearing hubs. These trailers are designed to provide many years of service with minimum maintenance.

All baggage carts are fitted with turntable steering on the front wheels and a highly affective, yet simple to maintain tow bar activated parking brake. This is engaged when the tow bar is raised and latched, or lowered to the ground. A foot pedal releases the latch and the brakes are released when the tow bar is in the correct towing height.

As standard, all trailers are galvanised with hi-vis marking and fitted with a 50mm steel tow bar eye, an E-type spring loaded rear hitch with a 25mm pin. Standard wheels are 15 x 4.5-8 x 3 D5 3 stage super elastic solid rubber tyres on split rims. Alternative tow eyes, hitches and wheels/tyres are available.

ABT 16 style trailers are fitted as standard with 1000mm high tubular end frames and can be supplied with a robust, one piece poly-tarp baggage protection cover. A choice of alternative height end frames, sides and roof covers are available for this model.

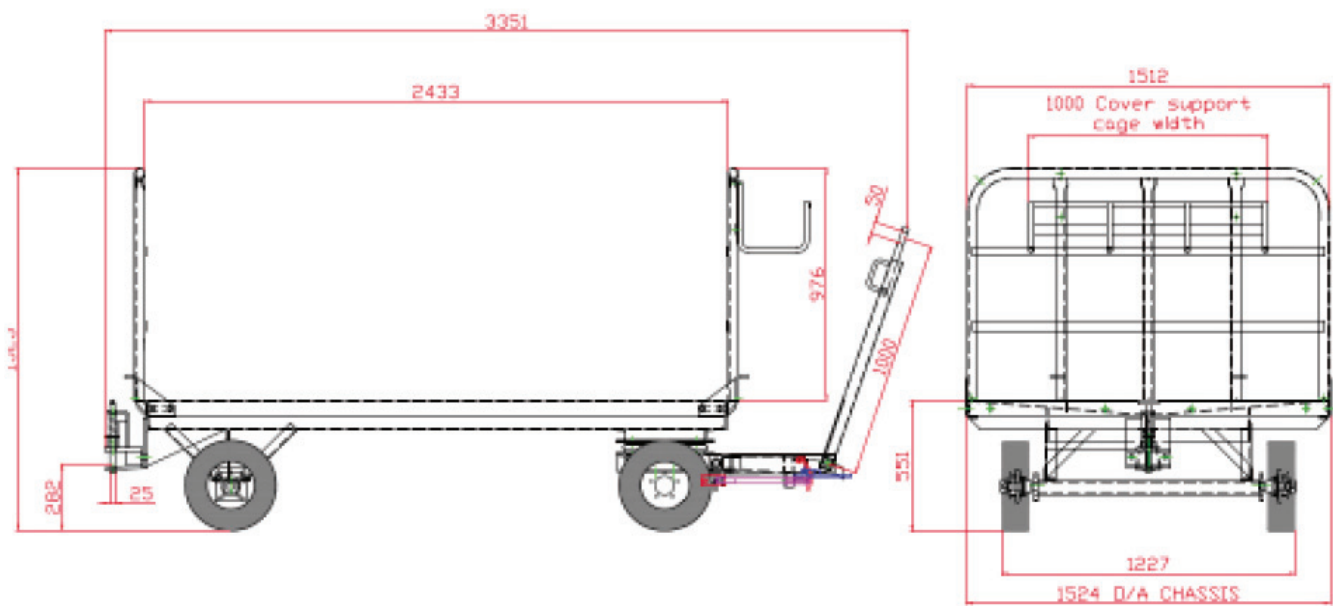
ABT16

Baggage Trailer

Product code:
3000-010-00-00

Options & extras

- 1000 or 600mm end frames.
- Solid in-filled end frames.
- Blackboards and document pouches.
- Half height fold down side frames.
- Special paint finish and corporate markings.
- Pneumatic tyres.
- Torsion suspension.
- Rubber corner buffers.
- Alternative size tow eyes.
- Alternative hitches-locking E-hitch, rockinger self latching, etc.



Please note that every effort is made to ensure that all dimensions are correct, however we do reserve the rights to make changes at our own discretion.



Waterton House,
Waterton Industrial Estate
Bridgend, South Wales, CF31 3US
United Kingdom



Tel +44 (0) 1656 652 202
Email info@tbduk.co.uk
www.tbduk.co.uk