

ABT20

Heavy Duty Baggage Trailer

Base, Line Maintenance &
Ground Handling Equipment



Ground Handling Equipment

Reliable easy to use low maintenance equipment
for efficient ramp operations.



Key features

- Robust 3200kg Cargo & Baggage Trailer.
- Fitted with Turntable steering.
- Tow bar activated parking brake.
- Solid roof panels.
- Heavy duty steel tube galvanised end frames.
- Rubber Corner Buffers.

ABT20 Heavy Duty Baggage Trailer

A robust 3200kg, cargo and baggage trailer. Compliant to IATA and European CE standards and specifically designed for arduous service over many years on busy airport ramps.

The ABT20 incorporates a formed 3mm thick steel bed on a fully welded and galvanised chassis, bolted on heavy duty steel tube galvanised end frames and TBD's unique replaceable flange mounted taper roller bearing hubs. These trailers are designed to provide many years of service with minimum maintenance.

All baggage carts are fitted with turntable steering on the front wheels and a highly affective, yet simple to maintain tow bar activated parking brake. This is engaged when the tow bar is raised and latched, or lowered to the ground. A foot pedal releases the latch and the brakes are released when the tow bar is at the correct towing height.

As standard, all trailers are galvanised, have hi-vis markings and are fitted with a 50mm steel tow bar eye, an E-type spring loaded rear hitch with a 25mm pin and 15 x 4.5-8 x 3 D5 3 stage super elastic solid rubber tyres on split rims. Alternative tow eyes, hitches and wheels/tyres are available.

Supplied as standard with upper curtains and steel lower



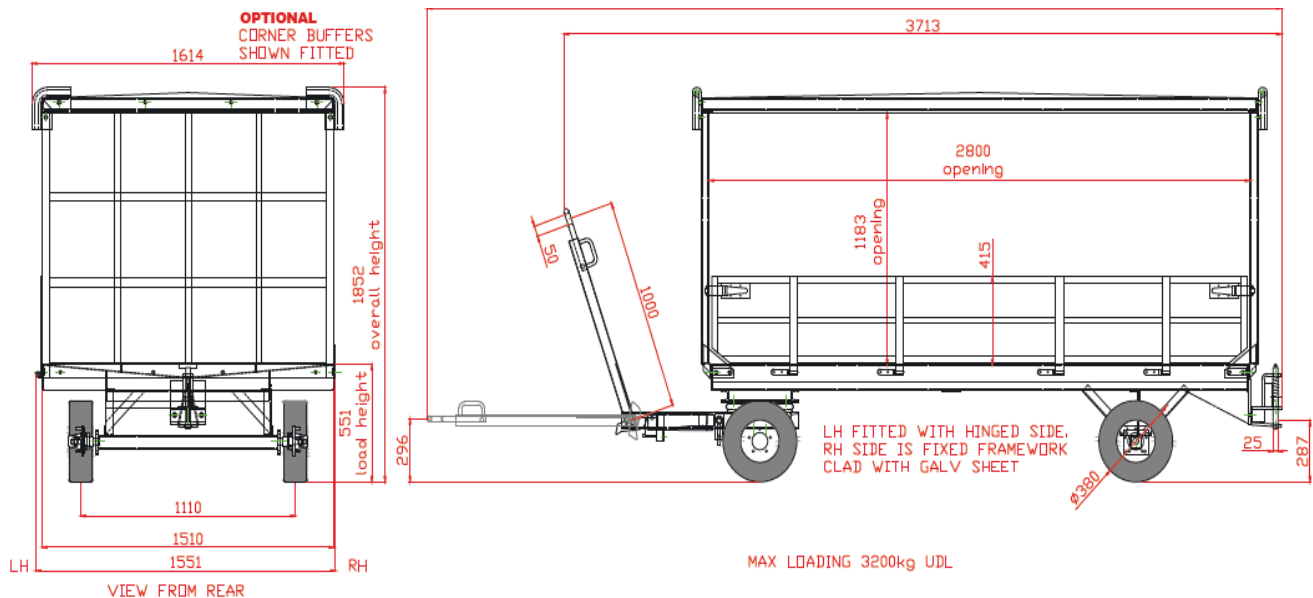
ABT20

Heavy Duty Baggage Trailer

Product code:
3000-180-00-00

Options & extras

- Blackboards and document pouches.
- Alternative size tow eyes.
- Special paint finish and corporate marking.
- Pneumatic tyres.
- Torsion suspension.
- Alternative hitches-looking E-hitch, rockinger self latching, etc.



Waterton House,
Waterton Industrial Estate
Bridgend, South Wales, CF31 3US
United Kingdom



Tel +44 (0) 1656 652 202
Email info@tbduk.co.uk
www.tbduk.co.uk

Please note that every effort is made to ensure that all dimensions are correct, however we do reserve the rights to make changes at our own discretion.