

ABT21 Baggage Trailer

Base, Line Maintenance &
Ground Handling Equipment



Ground Handling Equipment

Reliable easy to use low maintenance equipment
for efficient ramp operations.



Key features

- Robust 1800kg 50 luggage unit capacity.
- Fully welded and galvanised chassis.
- Turntable steering.
- Solid roof panel.
- Open 10000mm height tubular end frames.
- Tow bar activated parking brake raised and lowered activation.

ABT21 Baggage Trailer

A robust 1800kg, 50 luggage unit capacity ramp baggage trailer. Compliant to IATA and European CE standards and specifically designed for arduous service over many years on busy airport ramps.

With formed 3mm thick steel bed on a fully welded and galvanised chassis, bolted on heavy duty steel tube galvanised end frames and TBD's unique replaceable flange mounted taper roller bearing hubs. These trailers are designed to provide many years of service with minimum maintenance.

All baggage carts are fitted with turntable steering on the front wheels and a highly effective, yet simple to maintain tow bar activated parking brake. This is engaged when the tow bar is raised and latched, or lowered to the ground. A foot pedal releases the latch and the brakes are released when the tow bar is at the correct towing height.

As standard, all trailers are galvanised and fitted with 50mm steel tow eye, an E-type spring loaded rear hitch with a 25mm pin. Standard wheels are 15 x 4.5-8 x 3 D5 3 stage super elastic solid rubber tyres on split rims. All corners have hi-vis markings. Alternative tow eyes, hitches and wheels/tyres are available.

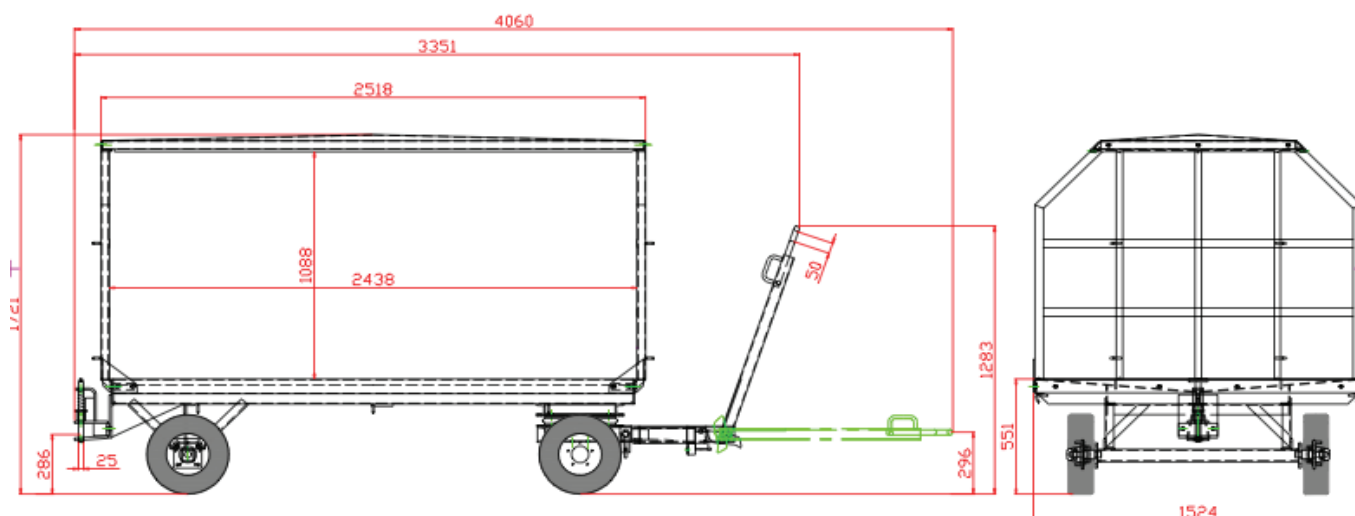
ABT21 trailers are supplied as standard with open 1100mm height tubular end frames, and a solid, galvanised sheet steel roof panel fitted with a special aluminium extrusion into which the easily replaceable PVC side curtains can be fitted.

ABT21 Baggage Trailer

Product code:
3000-050-00-00

Options & extras

- Solid in-filled end frames.
- Blackboards and document pouches.
- Half height fold down side frames.
- Side panels in place of curtains.
- Rubber corner buffers.
- Pneumatic tyres.
- Torsion suspension.
- Alternative coloured curtains.
- Alternative size tow eyes.
- Alternative hitches-locking E-hitch, rockinger self latching, etc.



Waterton House,
Waterton Industrial Estate
Bridgend, South Wales, CF31 3US
United Kingdom



Tel +44 (0) 1656 652 202
Email info@tbduk.co.uk
www.tbduk.co.uk

Please note that every effort is made to ensure that all dimensions are correct, however we do reserve the rights to make changes at our own discretion.