

Parallelogram Passenger Stairs

TPS1941, TPS2435
& TPS3056

Base, Line Maintenance &
Ground Handling Equipment



Ground Handling Equipment

Reliable easy to use low maintenance equipment
for efficient ramp operations.



Key features

- Range of sizes to suit most commonly available commercial aircraft.
- Hydraulic, one person adjustment.
- Easily towable using standard airport tractors.
- Fully compliant to BS and IATA Standards.

Parallelogram Passenger Stairs

TBD Owen Holland design and manufacture a range of passenger stairs including this parallelogram type suitable for servicing a wide range of aircraft with a doorsill height range of 1.9m-5.6m.

Our towable parallelogram passenger stairs (TPS) are available in 3 sizes, TPS 1941, TPS2435 and TPS3056. These parallelogram types boast treads pivoting on full length stringers. Built from a robust all steel construction, the stair flight is mounted on a welded steel chassis sub frame. An automatic lift-mast locking mechanism fitted to protect against hydraulic failure when elevated.

The stair treads, mid landing and top platform walking area are surfaced with a grip-faced aluminium tread plate to assist passengers in all weather types. Sliding doors on the top platform with hand operated spring-bolts at both sides of the top platform enable the opening of the aircraft doors with the passenger stairs connected to the aircraft. The leading edges are fitted with rubber buffering to protect against damage to the aircraft.

TPS 1941: 1.9-4.1m

TPS 2435: 2.4-3.5m

TPS 3056: 3.0-5.6m

Parallelogram Passenger Stairs

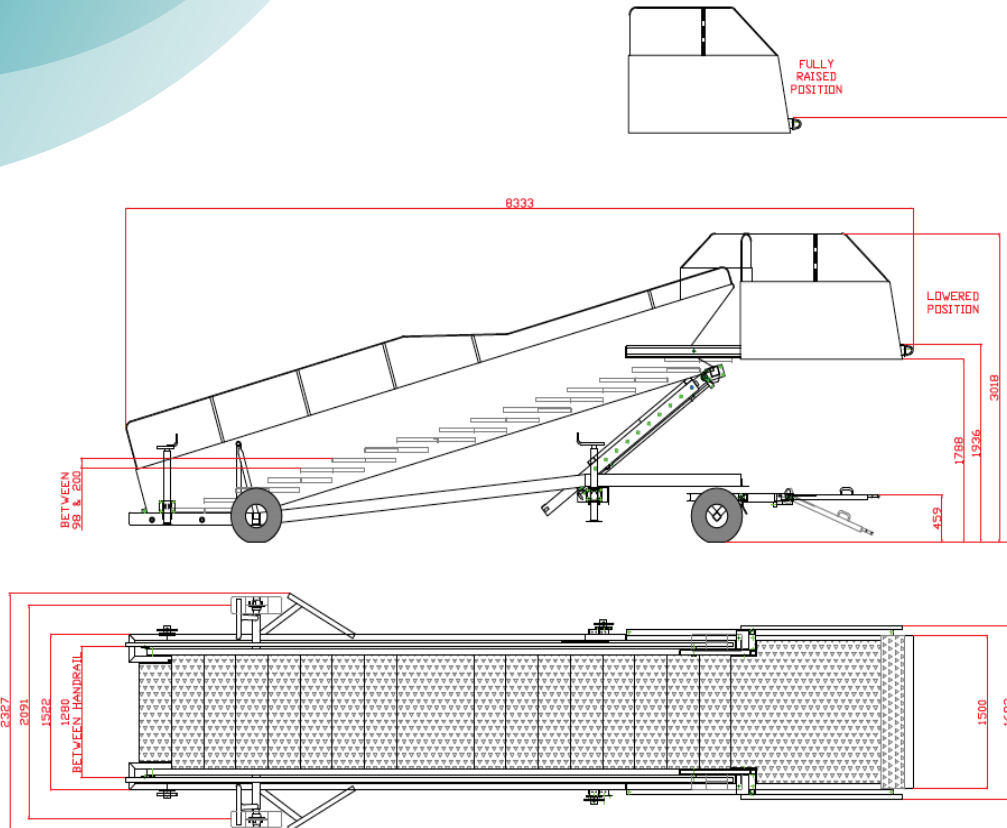


Product code:

TPS1941 090-00-00
 TPS2435 110-00-00
 TPS3056 170-00-00

Options & extras

- Alternative type stabiliser jacks.
- Special Corporate I.D. markings.
- Foam filled tyres to protect against punctures.
- Additional high visibility markings.
- Electric/hydraulic powered elevation.
- Battery powered LED stairway illumination.



Specifications

Model	TPS1941	TPS2435	TPS3056
Height Range	1,9-4,1	2,4-3,5	3,0-5,6
Stair Riser Height	100 - 215	140 - 218	112 - 213
Stair Tread Depth	270 - 330	255 - 305	270 - 330
Stair Tread Width	1,120	1,120	1,120
Width Inside Handrails	1,275	1,275	1,275
Top platform Width	1,600	2,120	1,600
Top Platform Length	1,650	1,600	1,850

All dimensions above in mm unless stated otherwise

Please note that every effort is made to ensure that all dimensions are correct, however we do reserve the rights to make changes at our own discretion.



Waterton House,
 Waterton Industrial Estate
 Bridgend, South Wales, CF31 3US
 United Kingdom



Tel +44 (0) 1656 652 202
 Email info@tbduk.co.uk
www.tbduk.co.uk