

TPS 26 Passenger Stairs

Base, Line Maintenance &
Ground Handling Equipment



Ground Handling Equipment

Reliable easy to use low maintenance equipment
for efficient ramp operations.



Key features

- Low cost fixed height stair specifically designed for B737 series aircraft.
- Stable yet highly manoeuvrable and easy to set up.
- Easy to tow.
- Low maintenance.
- Fully Compliant to BS and IATA standards.
- Canopy option available.

TPS 26 Passenger Stairs

This passenger stair is specifically designed for B737 aircraft with a fixed stairway and top-platform mounted on a welded steel chassis frame. The step treads and top platform walking area are surfaced with grip faced aluminium tread plate to provide a smart and stylish appearance and passenger security in all weathers.

Light weight yet robust construction saves time and effort when manually manoeuvring the steps, to or from the aircraft.

Sliding top platform side panels with hand operated spring lock bolts are fitted to both sides of the top platform to facilitate opening the aircraft doors with the steps fully interfaced to the aircraft.

A rubber buffeted pivoting section is fitted to the leading edge of the top platform to interface with fuselage contours. The standard unit has tubular / sheet steel side-panels with extrusion trimmed handrails fitted to both sides of the stairway. The sliding top platform panels are fully sheeted with D-Rubber buffers to the leading edge.

The TPS 26 offers a stylish low cost option for single aircraft fleet B737 operations.

As standard the chassis frame and tow bar are galvanised to ISO1461. All other sections are painted in a single corporate colour top-coat. High visibility markings are applied to front/rear chassis corners and sides of tow-bar.

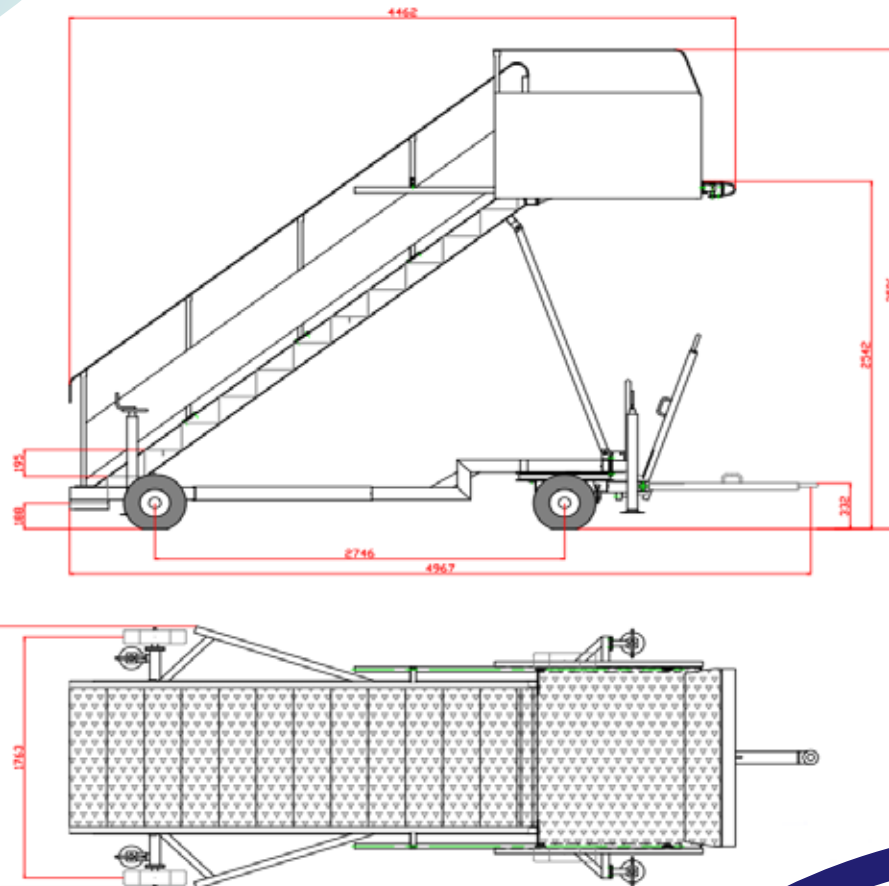
TPS 26

Passenger Stairs

Product code:
4000-140-00-00

Options & extras

- Pneumatic tyres (puncture prevention by foam filling if required).
- Alternative type stabiliser jacks.
- Special Corporate I.D markings.
- Mesh sheet panels on the stair-flight side-rails.
- Battery powered stairway illumination.
- Canopy.



Specifications

Top platform Height	2,520mm
Stair Riser Height	196mm
Stair Tread Depth	250mm
Stair Tread Width	1,020mm
Top Platform Width	1,340mm
Top Platform Length	3,506mm
Number of steps	13

Please note that every effort is made to ensure that all dimensions are correct, however we do reserve the rights to make changes at our own discretion.



Waterton House,
Waterton Industrial Estate
Bridgend, South Wales, CF31 3US
United Kingdom



Tel +44 (0) 1656 652 202
Email info@tbduk.co.uk
www.tbduk.co.uk