

Aircraft Staging Rotary Wing (Military & Civilian)

Base, Line Maintenance &
Ground Handling Equipment



Base Maintenance Equipment

Reliable easy to use low maintenance equipment
for efficient maintenance operations.



Key features

- Robust, yet easily manoeuvrable on the flightline / hangar.
- Excellent stability and fit for each aircraft.
- Main base and / or deployable configurations.
- Durable and very low maintenance.
- Wide range of platform interface options.
- Customer customizations are available.

Aircraft Staging - Rotary Wing (Military & Civilian)

TBD Owen Holland design and manufacture a wide range of customised access staging for safe and efficient maintenance of military aircraft including fast jets, transport and rotary wing.

The staging is based on our standard proven configurations to provide safe access to the required areas in full compliance with international Health and Safety requirements and Working At Height Regulations.

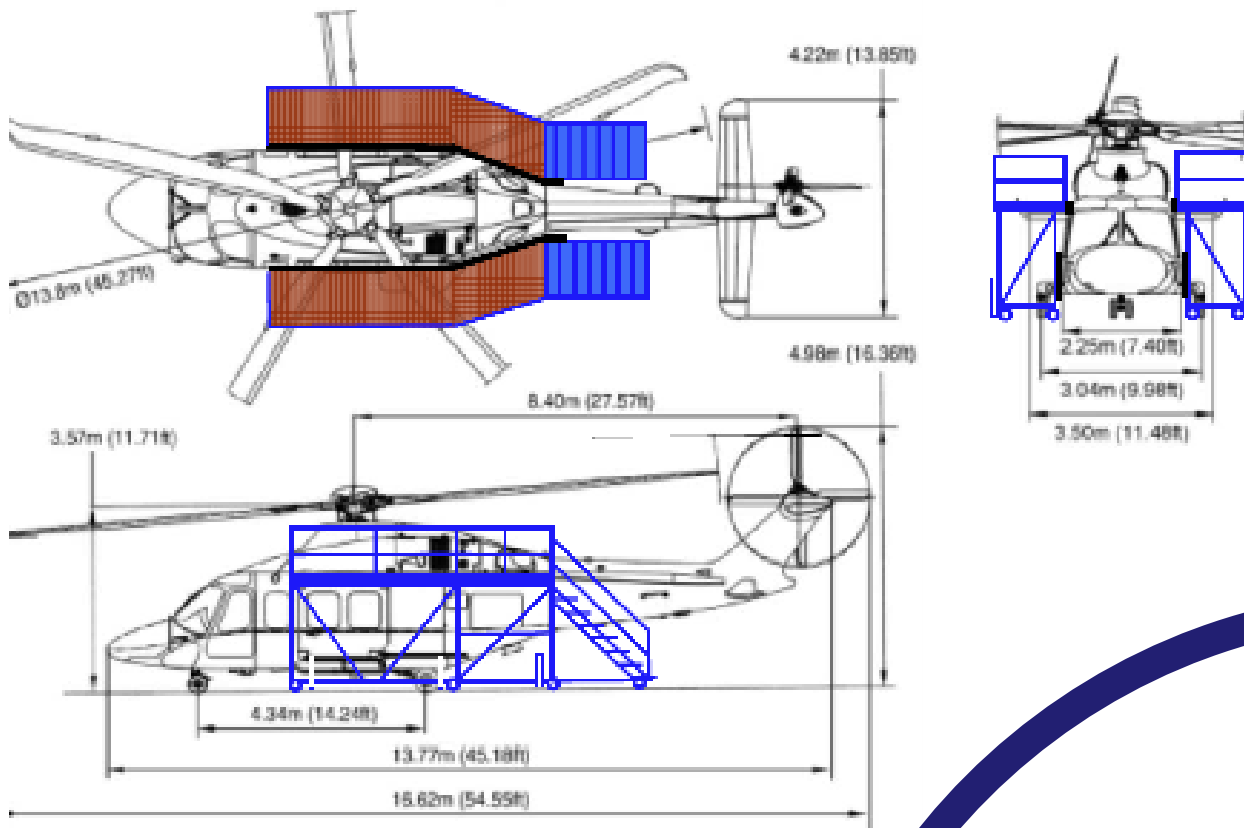
Proven first and second line systems available for a wide range of rotary wing aircraft ideally suited for efficient and professional maintenance of the latest ranges of helicopters in large or small hangars

Aircraft Staging

Rotary Wing (Military & Civilian)

Options & extras

- Aircraft type: single aircraft or multi-aircraft fit. On wheels, on Jacks etc.
- Staging support: Floor mounted on castors / fixed frame / roof suspended.
- Manoeuvring: manual/tow bars/self powered.
- Material: Steel / Aluminium.
- Decking materials: Hangar only or all weather Epoxy resin sealed plywood / GRP grating or solid / Aluminium or Steel.
- Different deck on different parts of the system.
- Finish: painted / galvanised.
- Stabiliser jacks: wind down / quick release kick down / powered.
- Handrails: fixed / drop in / folding / Meshed / un-meshed.
- Access: provision of gates, trapdoors, hoists etc for removal and loading / off loading.
- Fixtures: Built in work benches / storage etc.



EXTERNAL DIMENSIONS (LONG NOSE CONFIGURATION)



Waterton House,
Waterton Industrial Estate
Bridgend, South Wales, CF31 3US
United Kingdom



Tel +44 (0) 1656 652 202
Email info@tbduk.co.uk
www.tbduk.co.uk

Please note that every effort is made to ensure that all dimensions are correct, however we do reserve the rights to make changes at our own discretion.