

Stands and Transportation Frames

Base, Line Maintenance & Ground Handling Equipment



Line Maintenance Equipment

Efficient and effective products manufactured for the line maintenance engineer



Key features

- Custom built to large orders.
- Bespoke stand for specific wing or aircraft component.
- Optimised for road, air or dual purpose transportation with built in lashing points.
- Variable geometry for optimum loading and transport conditions.
- Fitted with forks lift pockets and or transit wheel for ease of movement.
- Certified and proof load tested.

Stands and Transportation Frames

TBD Owen Holland design, type test and manufacture a wide range of purpose specified and customised specialist tooling, transportation and storage equipment specially built for batch order specifications.

This purpose designed range of equipment covers items such as;

Transportation stands to provide appropriate support and protection for loads such as jet engines, aircraft wings, fuselage sections and other high value components during road, sea and air transportation.

Environmental air portable storage containers providing safe, long term storage for critical component in a controlled atmosphere. These containers can include power operation of the covers, in build automatic dehumidification systems and provision for rotation or in storage maintenance with opening the container and breaching the protected environment.

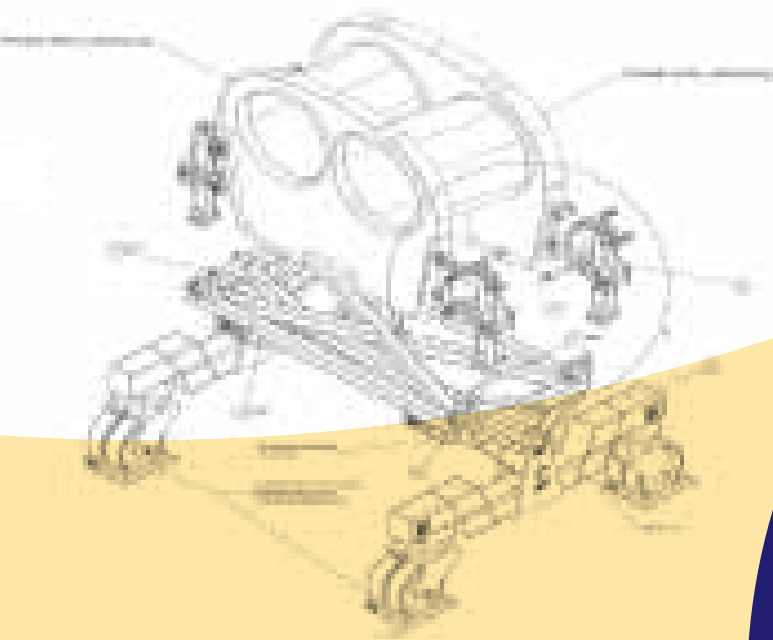
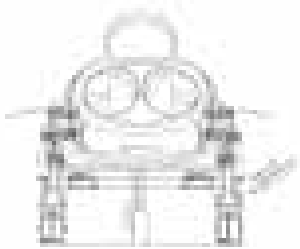
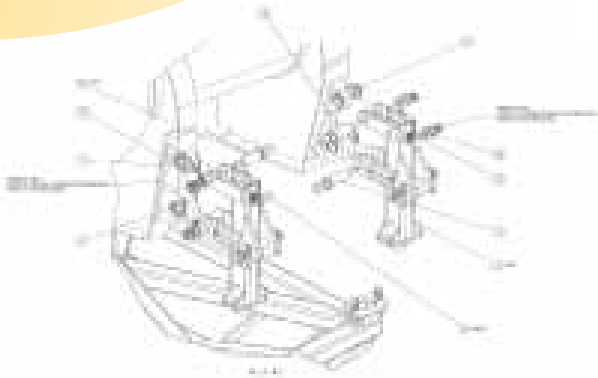
Each solution will be tailored specifically to the application and can be produced as a one off or in quantity as appropriate.

Stands and Transportation Frames



Options & extras

- Aircraft type: single aircraft or multi-aircraft / part.
- Stand support method-floor mounted on castors / fixed frame / suspended.
- Manoeuvring: Manual / Tow bars for tugs /self powered.
- Height: Fixed or variable -Method of adjustment if variable-manual / electrical / hydraulic / pneumatic.
- Type of work to be under taken on component when in the stand-system to suit different maintenance tasks.
- Stabiliser jacks-wind down / quick release kick down / powered.
- Material-steel / aluminium.
- Finish-painted / galvanised.
- Method of attachment of part to stand / protection and buffering of component to stand.
- Level of environmental protection required.



Waterton House,
Waterton Industrial Estate
Bridgend, South Wales, CF31 3US
United Kingdom



Tel +44 (0) 1656 652 202
Email info@tbduk.co.uk
www.tbduk.co.uk

Please note that every effort is made to ensure that all dimensions are correct, however we do reserve the rights to make changes at our own discretion.