

Wheel and Brake Change Dolly

Base, Line Maintenance &
Ground Handling Equipment



Line Maintenance Equipment

Efficient and effective products manufactured
for the line maintenance engineer



Wheel and Brake Change Dolly

The TBD Wheel and Brake Change Dolly facilitates both the removal and transport of an aircraft wheel to and from the hub. Rollers aid in positioning by allowing the wheel to be rotated when offered up and the hydraulic pump/cylinder system enables accurate height adjustment with minimum effort.

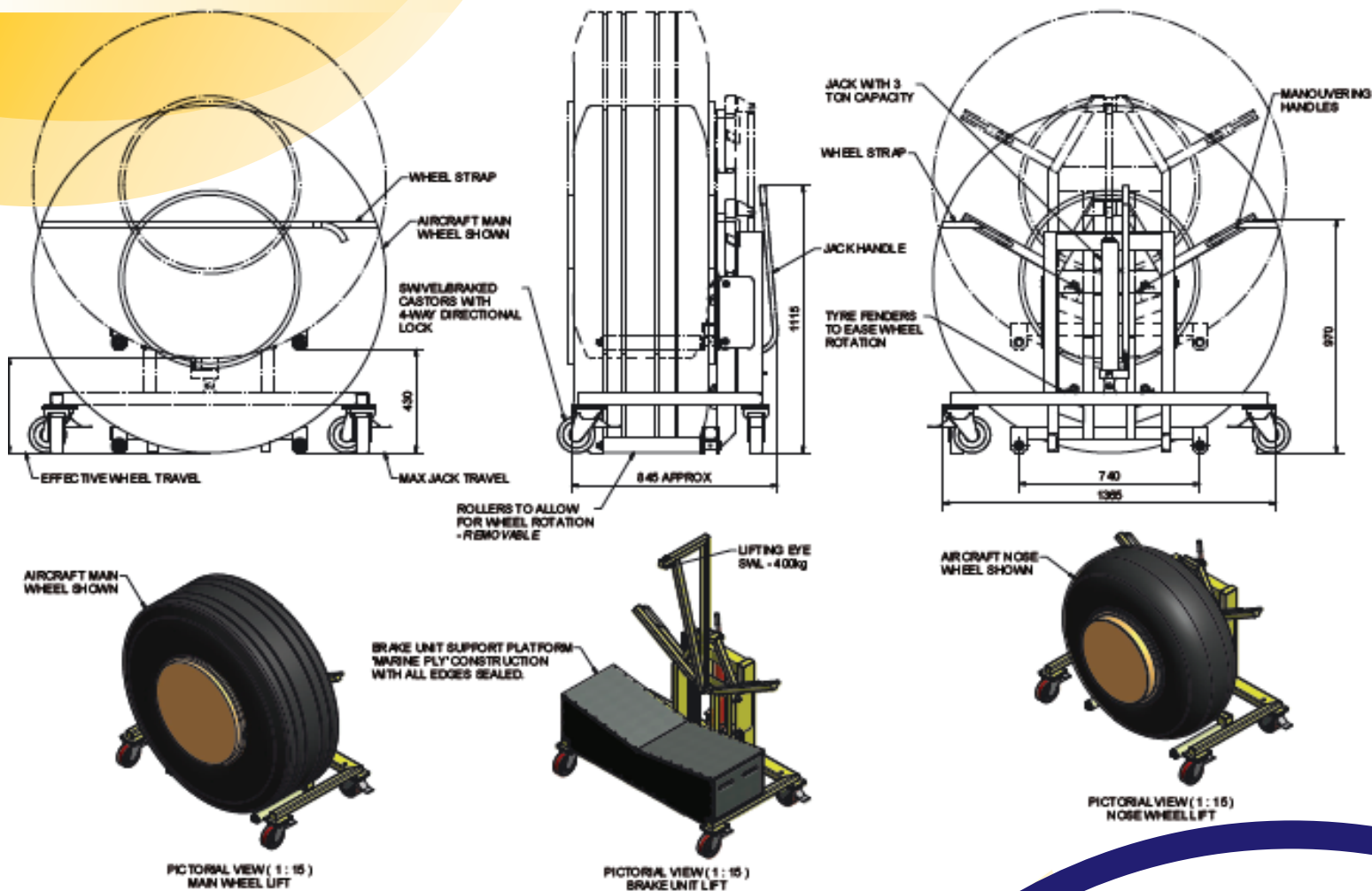
Additional attachments enable the unit to be re-configured to support and lift brakes off the aircraft once the wheel has been removed. The attachments for both lifting and supporting the brake during movement can be seen in the image on the reverse.

All straps for securing the wheel and lifting the brakes are included with the unit and specified heavy duty castors with directional lock swivel heads make manoeuvring much easier.

Wheel and Brake Change Dolly

Product code:

6005-301-00-00



Please note that every effort is made to ensure that all dimensions are correct, however we do reserve the rights to make changes at our own discretion.



Waterton House,
Waterton Industrial Estate
Bridgend, South Wales, CF31 3US
United Kingdom



Tel +44 (0) 1656 652 202
Email info@tbduk.co.uk
www.tbduk.co.uk